

Honeywell

UV Solution for Air Treatment

User Manual

Read these instructions before use



Model:
HUVF58C1000
HUVF58C2000

HONEYWELL EAC – UV SHIELD

1. **WARNING:** Eye damage may result from directly viewing the light produced by the lamp(s) in this apparatus. Always disconnect all power before servicing.
2. **WARNING:** RISK OF ELECTRIC SHOCK CAN CAUSE INJURY OR DEATH: DISCONNECT ALL REMOTE ELECTRIC POWER SUPPLIES BEFORE SERVICING.

Models: 1) HUVF58C1000
2) HUVF58C2000

Specifications:

- Suitable for mounting in AHU near Cooling coil
- Plug and Play design enables ease of installation.
- Effective on all types of Air Pathogens
- UV Lamp designed specifically for HVAC conditions.
- HUVF58C2000: 2 Lamps - 23W max. each.
- HUVF58C1000: 1 Lamp - 23W max.



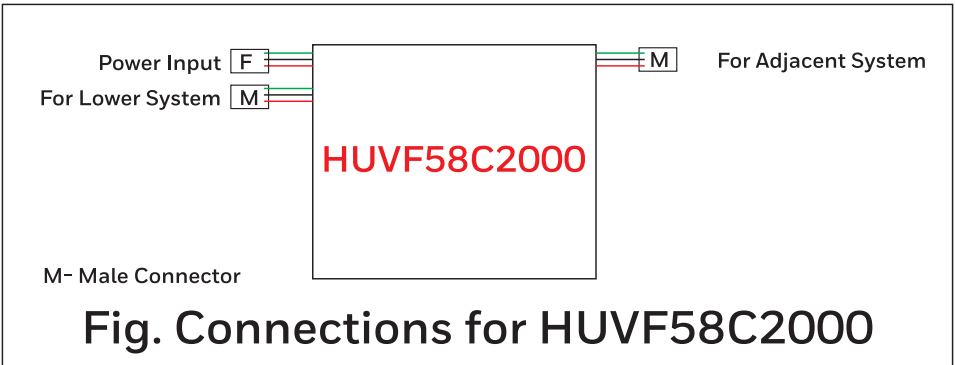
HUVF58C1000



HUVF58C2000

Installation:

During installation of both HUVF58C2000 and HUVF58C1000 use below wiring diagram for connecting the systems to each other.



Wiring Diagram for HUVF58C2000

The systems can be nut bolted to each other either side by side or on top of other. The Male – Female connectors can be used for powering the system. The 230V single phase supply shall be used for powering the systems. The power shall not be turned 'ON' until all the mechanical fitment is finished and after the operator wear the UV eye protection.

WARNING: The electrical supply circuit connected to this UV appliance must be routed through an electrical interlock switch placed on the HVAC system duct access panels and doors to prevent accidental UV exposure when servicing the air ducts or equipment or equivalent. Interlock shall break all supply conductors.

CAUTION: Equipment Damage Hazard. Ultraviolet light can cause color shift or surface degradation and sometimes structural degradation of non-metallic components. Select mounting location that prevents exposure to plastic flexible duct components, polyurethane foam insulation material, rubber hoses, wire insulation, etc. If mounting options are limited, items above should be protected with ultraviolet resistant material such as aluminum foil, aluminum duct tape, or metallic shields or an equivalent.

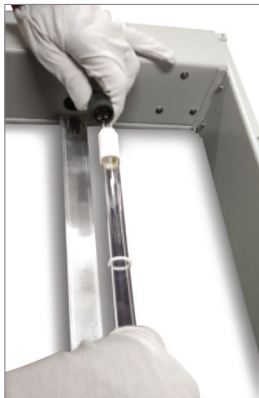
Make sure that the UV lamp is connected properly to the 4 pin holder and is fixed in the clamps provided on the Reflector as shown in photograph

below. The adjacent system and lower system can be connected electrically using above wiring diagram as shown in photographs below



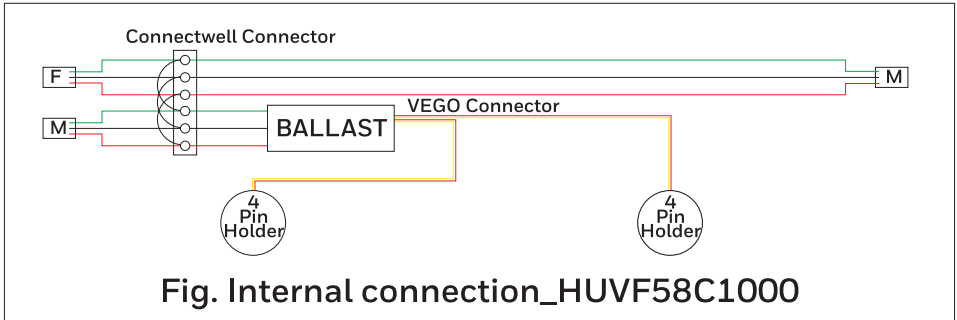
MAINTAINANCE:

1) Lamp Replacement: For replacing the lamp the HUVF58C2000 / HUVF58C1000 first disconnect the power of the system. Remove the 4 pin holder on top of the lamp by pulling the lamp out of the fixture clamps as shown below



Now connect the new lamp and fix the lamp in the ss clamps.

2) **Ballast Replacement:** For changing the ballast refer to the below internal wiring diagram



Remove the connections of the ballast. Remove the old ballast and replace the new one. Make the connections again as shown above. Make sure all the connections are correct before switching ON the power supply.

Honeywell