



Replacement Parts List

1900 Series Pumps

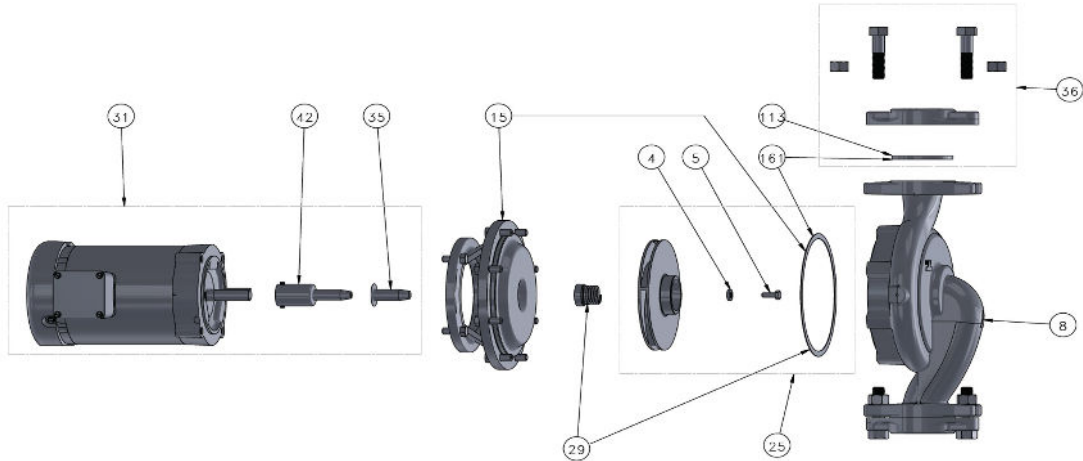
304-054

SUPERSEDES: August 28, 2019

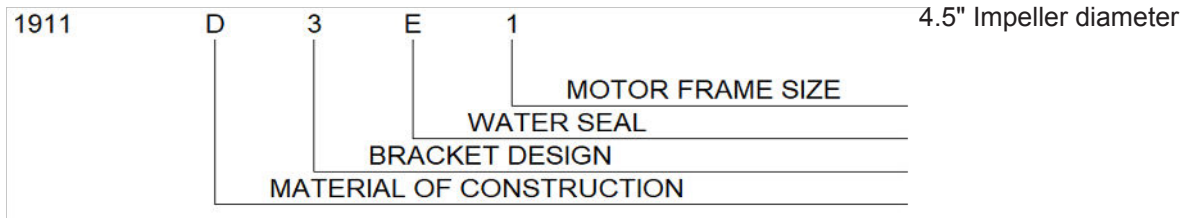
Effective: March 30, 2022

IMPORTANT: When ordering, always specify part number, part name and complete model number of pump. Nameplate located on bracket (item 15) of current models or on body (item 8) of older models.

REPLACEMENT PARTS FOR 1900 SERIES



SERIAL NUMBER CODE



MATERIAL OF CONSTRUCTION
X O O O
B = ALL BRONZE PUMP & IMPELLER (OBSOLETE)
C = CAST IRON PUMP AND BRONZE IMPELLER (OBSOLETE)
D = ALL STAINLESS STEEL PUMP & IMPELLER
E = CAST IRON PUMP AND STAINLESS STEEL IMPELLER
N = ALL STAINLESS STEEL PUMP & IMPELLER (NSF 61 ONLY)

WATER SEAL KIT, ITEM #29 5/8" SHAFT
O O X O
E = (Standard) 1600-868CRP Ceramic/Carbon/EPT (replaces 1600-846CRP, 1600-170RP and 1600 170ERP)
S = (High Temp) 1600-868SRP Sealide-C/Sealide-C/Viton (replaces 1600-846SRP and 1600-170HRP)

BRACKET DESIGN
O X O O
1-3 CURRENT STYLE PUMPS

MOTOR FRAME
O O O X
1 56C FRAME All Motors

ITEM #4: IMPELLER WASHER R.P.
All 1900 Series—1600-151 R.P. All 1900

ITEM #5: IMPELLER BOLT R.P.
All 1900 Series—1600-215 R.P.

ITEM #8: BODY R.P.			
Pump Model No.	Cast Iron	Stainless Steel	Casing Wear Ring for all SS models
1911	1610-001RP	1610-001SRP	1600-906RP
1915	1614-001RP	1614-001SRP	1600-906RP
1919	1618-004RP	1618-004SRP	1600-906RP
1935	1634-001RP	1634-001SRP	1600-907RP
1941	1640-002RP	1640-002SRP	1600-907RP

ITEM #15: BRACKET R.P.		
Pump Model No.	Cast Iron	Stainless Steel
1911	1900-015RP	1900-017RP
1915, 1935	1900-002RP	1900-019RP
1919, 1941	1900-016RP	1900-018RP

ITEM #25: IMPELLER R.P.*	
Pump Model No.	Cast Iron
1911	1611-001SRP
1915	1615-001SRP
1919	1619-001SRP
1935	1635-001SRP
1941	1641-001SRP

ITEM #29: WATERSEAL R.P.	
Ceramic "E" (Std.)	1600-868CRP
Sealide-C "S"	1600-868SRP

* Impeller diameter must be specified.

ITEM #31: REPLACEMENT 1750 RPM MOTOR ASSEMBLY* (Premium Efficiency)								
HP	ODP				TEFC			
	115/208/ 230/60/1	200/60/3	208/230/ 460/60/3	3450 RPM 208/230/460/60/3	115/208/ 230/60/1	200/60/3	208/230/ 460/60/3	3450 RPM 208/230/460/60/3
1/4	121-499RP	N/A	121-401RP	N/A	N/A	N/A	N/A	N/A
1/3	131-292RP	N/A	131-294RP	N/A	131-195RP	N/A	N/A	N/A
1/2	132-269RP	N/A	132-271RP	N/A	132-172RP	N/A	N/A	N/A
3/4	133-375RP	N/A	133-377RP	N/A	133-178RP	N/A	N/A	N/A
1	138-266RP	N/A	138-268RP	N/A	N/A	N/A	1636-063RP	N/A
1 1/2	138-269RP	138-170RP	138-271RP	138-252RP	138-178RP	N/A	N/A	N/A
2	N/A	138-173RP	138-274RP	138-253RP	N/A	N/A	N/A	1662-005RP
3	N/A	N/A	N/A	138-349RP	N/A	N/A	N/A	N/A
5	N/A	N/A	N/A	N/A	N/A	N/A	N/A	N/A
7.5	N/A	N/A	N/A	138-238RP	N/A	N/A	N/A	N/A

* Includes Item Item #42 Shaft Adapter

ITEM #35: SLEEVE R.P.
All 1900 Series—Replaced by single piece stainless steel shaft. See item #42.

ITEM #42: SHAFT ADAPTER
All 1900 Series—1900-1007RP

ITEM #36: FLANGE SET RP		
Pump Model No.	Cast Iron	Stainless Steel
1911, 1915	1600-031RP	1600-031SRP
1919, 1935	1600-032RP	1600-032SRP
1941	1600-174RP	1600-174SRP

ITEM #113: FLANGE GASKET ONLY
All 1900 Series—1600-169RP

ITEM #161: GASKET KIT	
1911, 1915, 1935	1600-050RP
1919, 1941	1618-006RP



Taco, Inc., 1160 Cranston Street, Cranston, RI 02920 | Tel: (401) 942-8000 | FAX: (401) 942-2360

Taco (Canada), Ltd., 8450 Lawson Road, Suite #3, Milton, Ontario L9T 0J8 | Tel: (905) 564-9422 | FAX: (905) 564-9436

Visit our web site: www.TacoComfort.com | Printed in USA | ©2022 Taco, Inc.

