

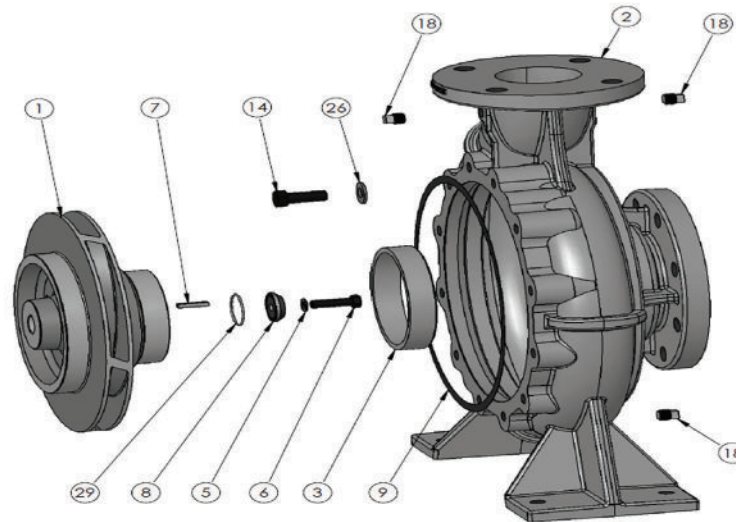
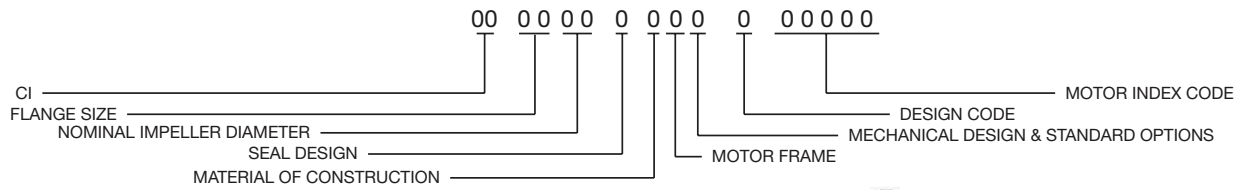
Replacement Parts List

CI 3009, CI 3009C & CI 3009D

SUPERSEDES: June 1, 2013

EFFECTIVE: December 31, 2018

WHEN SELECTING AND ORDERING PARTS, ALWAYS REFER TO SERIAL NUMBER ON NAMEPLATE

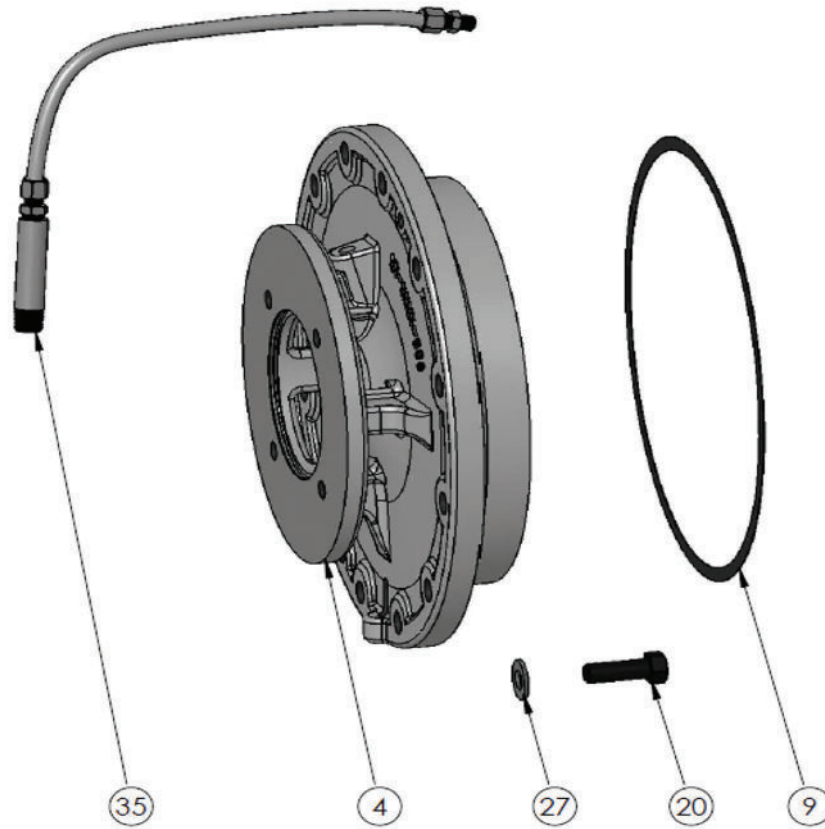


ITEM NUMBER	NUMBER REQUIRED	DESCRIPTION	CI 3009		CI 3009C		CI 3009D	
			MOTOR FRAME	MOTOR FRAME	MOTOR FRAME	MOTOR FRAME	MOTOR FRAME	MOTOR FRAME
			H, J OR K	L, M OR N	H, J OR K	L, M OR N	H, J OR K	L, M OR N
1	1	Impeller (Bronze) (1160, 1450 & 1760 RPM)	953-1039RP**	953-1040RP**	953-4367RP**	953-1040RP**	953-6182RP	953-6183RP
1	1	Impeller (Stainless Steel) (1160, 1450 & 1760 RPM)	N/A	N/A	N/A	N/A	953-6182SRP	953-6183SRP
1	1	Impeller (BRZ) (With B/H, 2900 & 3600 RPM)	N/A	N/A	N/A	N/A	953-6184RP*	953-6185RP
1	1	Impeller (SS) (With B/H, 2900 & 3600 RPM)	N/A	N/A	N/A	N/A	953-6184SRP*	953-6185SRP
2	1	Casing (125#) (No W/R)	953-1035RP	953-1035RP	953-4373RP	953-4373RP	953-6178RP	953-6178RP
2	1	Casing (250#) (No W/R)	953-1036RP	953-1036RP	953-4376RP	953-4376RP	953-6179RP	953-6179RP
2	1	Casing (125#) (Bronze W/R)	953-2306RP	953-2306RP	953-4375RP	953-4375RP	953-6180RP	953-6180RP
2	1	Casing (250#) (Bronze W/R)	953-2307RP	953-2307RP	953-4374RP	953-4374RP	953-6181RP	953-6181RP
3	1 (W/R)	Wear Ring (Bronze)	953-1387RP	953-1387RP	953-1387RP	953-1387RP	953-6193LRP	953-6193LRP
5	1	Dowdy Washer	951-2578RP	951-2579RP	951-2578RP	951-2579RP	951-2578RP	951-2579RP
6	1	Impeller Bolt (Stainless Steel)	3/8 NC x 1 LG	1/2 NC x 1 1/2 LG	3/8 NC x 1 LG	1/2 NC x 1 1/2 LG	3/8 NC x 1 1/2 LG	1/2 NC x 1 1/2 LG
7	1	Impeller Key (Stainless Steel)	3/16 x 3/16 x 1 1/8 LG	1/4 x 1/4 x 2 LG	3/16 x 3/16 x 1 1/8 LG	1/4 x 1/4 x 2 LG	3/16 x 3/16 x 1 1/8 LG	1/4 x 1/4 x 2 LG
8	1	Impeller Washer	953-828RP	953-829RP	953-828RP	953-829RP	953-828RP	953-829RP
9	1	Gasket (Casing)	953-1009RP	953-1009RP	953-1009RP	953-1009RP	953-4383RP	953-4383RP
14	12	Casing Bolt (Steel)	3/8 NC x 7/8 LG	3/8 NC x 7/8 LG	3/8 NC x 7/8 LG	3/8 NC x 7/8 LG	3/8 NC x 1 1/4 LG	3/8 NC x 1 1/4 LG
18	3	Pipe Plug (Steel)	1/4 NPT	1/4 NPT	1/4 NPT	1/4 NPT	1/4 NPT	1/4 NPT
26	12	Casing Washer (Zinc)	3/8	3/8	3/8	3/8	3/8	3/8
29	1	Impeller O-ring	953-830RP	953-759RP	953-830RP	953-759RP	953-830RP	953-759RP

* 3009D IMPELLER NOT REQ'D BASED ON SUBMITTAL CURVES

** 3009 IMPELLER IS AVAILABLE FOR ALL SPEEDS

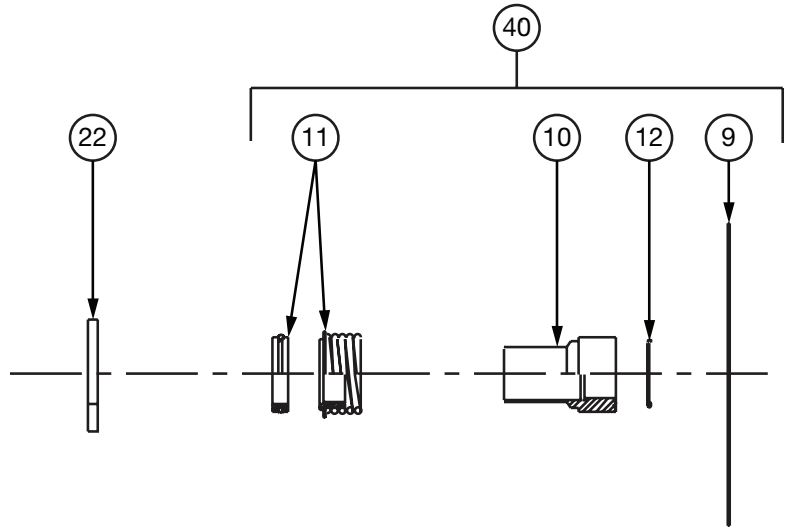
Cover Replacement Parts



ITEM NUMBER	NUMBER REQUIRED	DESCRIPTION	MOTOR FRAME				PUMP MODEL NUMBER
			H or J	K	L	M OR N	
			143-184JM	213-215JM	254-256JM	284-326JM	
4	1	Cover	953-850RP	953-854RP	953-901RP	953-904RP	3009
4	1	Cover, 125#	953-4444RP	953-4446RP	953-901RP	953-904RP	3009C
		Cover, 250#	953-4445RP	953-4447RP	953-901RP	953-904RP	
4	1	Cover, 125#	953-6050-30RP	953-6044-30RP	953-6039-30RP	953-6041-30RP	3009D
		Cover, 250#	953-6050-30RP	953-6044-30RP	953-6040-30RP	953-6042-30RP	
9	1	Gasket (Casing)	see page 1	see page 1	see page 1	see page 1	3009 3009C 3009D
20	4	Motor Bolt	3/8 NC x 1 LG	1/2 NC x 1 1/4 LG	1/2 NC x 1 1/2 LG	5/8 NC x 1 1/4 LG	
27	4	Motor Washer	3/8	1/2	1/2	5/8	
35	1	Tube Kit	951-1547RP	951-1547RP	951-1547RP	951-1547RP	

From AW-684 Rev G

Seal Replacement Parts



3009, 3009C, 3009D	3009, 3009C, 3009D	3009, 3009C, 3009D	3009, 3009C, 3009D
--------------------	--------------------	--------------------	--------------------

ITEM NO.	NO. REQ.	DESCRIPTION	MOTOR FRAME			
			H, J, OR K	L, M, N OR R	H, J, OR K	L, M, N OR R
			143-215JM	254-365JM	143-215JM	254-365JM
			MECHANICAL DESIGN (125#)		MECHANICAL DESIGN (250#)	
9	1	Gasket (Casing)	See Page 1	See Page 1	See Page 1	See Page 1
10	1	Sleeve (SS)	953-1118RP	953-1170RP	953-1892RP	953-1891RP
10	1	Sleeve (Bronze)	953-1119RP	953-1171RP	953-1861RP	953-1887RP
11	1	Seal (Type B)	951-3157RP	951-3158RP	951-3766RP	951-5158RP
11	1	Seal (Type D)	951-3159RP	951-3160RP	951-3781RP	951-5159RP
11	1	Seal (Type E)	951-3161RP	951-3162RP	951-3782RP	951-5160RP
11	1	Seal (Type F)	951-6415RP	951-6417RP	951-6461RP	951-6456RP
12	1	Sleeve Gasket	592-525RP	951-3042RP	953-525RP	951-3042RP
22	1	Deflector	900-044RP	951-3065RP	900-044RP	951-3065RP
40	1	Seal Kit (Type B) SS	953-1549-1RP	953-1549-4RP	953-1549-7RP	953-1549-10RP
40	1	Seal Kit (Type B) BRZ	953-1549-1BRP	953-1549-4BRP	953-1549-7BRP	953-1549-10BRP
40	1	Seal Kit (Type D) SS	953-1549-2RP	953-1549-5RP	953-1549-8RP	953-1549-11RP
40	1	Seal Kit (Type D) BRZ	953-1549-2BRP	953-1549-5BRP	953-1549-8BRP	953-1549-11BRP
40	1	Seal Kit (Type E) SS	953-1549-3RP	953-1549-6RP	953-1549-9RP	953-1549-12RP
40	1	Seal Kit (Type E) BRZ	953-1549-3BRP	953-1549-6BRP	953-1549-9BRP	953-1549-12BRP
40	1	Seal Kit (Type F) SS	953-1549-41RP	953-1549-42RP	953-1549-43RP	953-1549-44RP
40	1	Seal Kit (Type F) BRZ	953-1549-41BRP	953-1549-42BRP	953-1549-43BRP	953-1549-44BRP

From AW-687 Rev S

Taco Comfort Solutions® A Taco Family Company

Taco, Inc., 1160 Cranston Street, Cranston, RI 02920 | Tel: (401) 942-8000 | FAX: (401) 942-2360

Taco (Canada), Ltd., 8450 Lawson Road, Suite #3, Milton, Ontario L9T 0J8 | Tel: (905) 564-9422 | FAX: (905) 564-9436

Visit our web site: www.TacoComfort.com | Printed in USA | ©2017 Taco, Inc.

