

CI Series Pump | Submittal Data

Submittal No: 301-2427D | Model: 3009E | RPM: 1760 - 60 Hz | Effective: January 27, 2020 | Supersedes: December 31, 2018

JOB: _____

REPRESENTATIVE: _____

ENGINEER: _____

CONTRACTOR: _____

PRODUCT DATA

ITEM NO. _____ MODEL NO. 3009E

IMPELLER DIAMETER _____ HORSEPOWER _____

GPM _____ VOLTAGE _____

HEAD/FT _____ RPM 1760

WEIGHT _____ PUMP/MOTOR 3009E/7.5HP

NSF 61 CERTIFIED YES NO

DIMENSIONS

Model No. | 3009E
Flange Size (Suction x Discharge) | 4 x 3 (102 x 76)

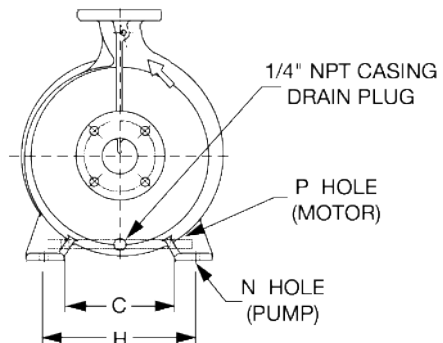
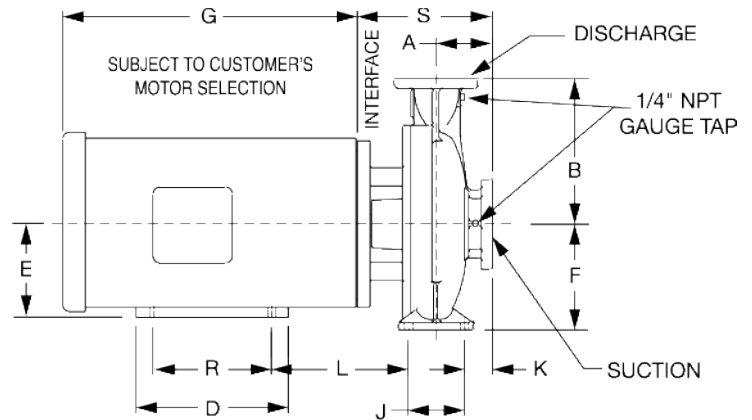
HORSEPOWER		5	7.5	10	15
ODP	MOTOR FRAME	184JM	213JM	215JM	254JM
	G MAX	15.26 (388)	15.47 (393)	16.60 (422)	19.44 (494)
	MAXIMUM ASSEMBLY WEIGHT LBS. (KG)	234 (106)	314 (142)		492 (223)
TEFC	MOTOR FRAME	184JM	213JM	215JM	254JM
	G MAX	15.26 (388)	16.64 (423)	18.11 (460)	20.05 (509)
	MAXIMUM ASSEMBLY WEIGHT LBS. (KG)	234 (106)	314 (142)		492 (223)
A		ANSI Class 125: 4.73 (120)			
		ANSI Class 250: 5.04 (128)			
B		ANSI Class 125: 10.0 (254)			
		ANSI Class 250: 10.37 (263)			
C (MOTOR)	7.5 (191)	8.5 (216)	10.0 (254)		
D	6.50 (165)	8.00 (203)	9.50 (241)		
E	4.50 (114)	5.25 (133)	6.25 (159)		
F	7.09 (180)				
H (PUMP)	9.84 (250)				
J	3.76 (96)				
K	ANSI Class 125: 2.85 (72)				
	ANSI Class 250: 3.16 (80)				
L	5.88 (149)	7.34 (186)	8.51 (216)		
N (PUMP)	0.56 (14)				
P	0.41 (10)			0.53 (13)	
R	5.50 (140)	7.00 (178)	8.25 (210)		
	ANSI Class 125: 9.20 (234)		ANSI Class 250: 10.12 (257)		
S	ANSI Class 125: 9.51 (241)		ANSI Class 250: 10.43 (265)		

Configuration	DOE Basic Model Number	PEI Value	Energy Rating
Bare Pump	CI3009E-4P-BP	PEI _b	0.9
Pump + Motor	CI3009E-4P-PM	PEI _d	0.9

OPERATING SPECIFICATIONS

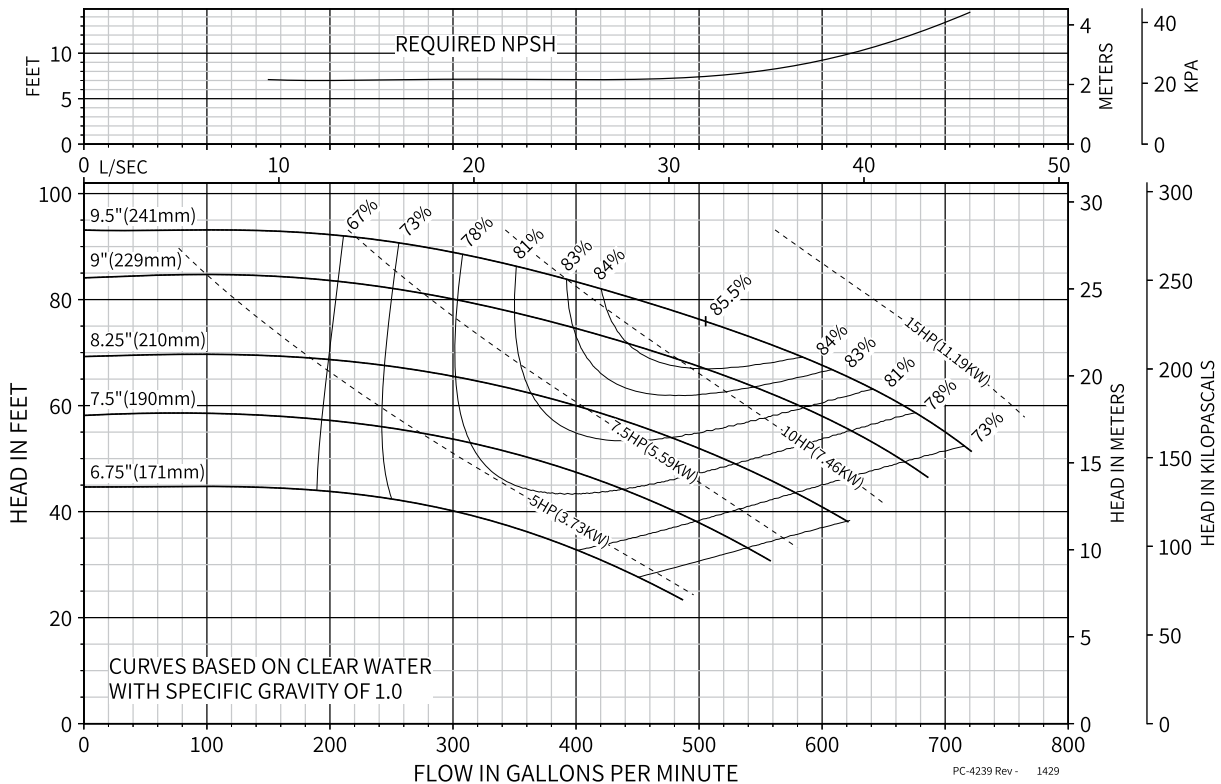
FLANGE	PRESSURE	TEMPERATURE
ANSI Class 125	175 PSIG* (1210 KPA)	250°F (120°C)
ANSI Class 250	300 PSIG** (2070 KPA)	250°F (120°C)

Motors: All NEMA Standard (JM Frame)
* In accordance with ANSI Standard B16.1 Class 125
** In accordance with ANSI Standard B16.1 Class 250



MATERIALS OF CONSTRUCTION		CASING	COVER	IMPELLER	WEAR RING	SHAFT	SHAFT SLEEVE	MECHANICAL SEAL	SEAL FLUSH LINE ASSEMBLY
STANDARD CONSTRUCTION	BRONZE FITTED	125# FLANGE Cast Iron ASTM A48/A48M-03 Class 30A	Cast Iron ASTM A48/A48M-03 Class 30A	Bronze ASTM B584 ALLOY C83600 or C84400	N/A	Carbon Steel	Bronze ASTM B584-98A C92200	Ceramic/EPT	N/A
	250# FLANGE Ductile Iron ASTM A536-84 Grade 65-45-12	Cast Iron ASTM A48/A48M-03 Class 30A	Bronze ASTM B584 ALLOY C83600 or C84400	N/A	Carbon Steel	Bronze ASTM B584-98A C92200	Ceramic/EPT	N/A	
OPTIONAL	125# OR 250#	N/A	N/A	Stainless Steel ASTM A351/A 351M-08	Bronze ASTM B584-98A C92200	N/A	Stainless Steel TYPE 303 ASTM A276	Tyngsten Carbide /EPT or Silicon-Carbide/EPT	Copper & Brass C3600
STANDARD CONSTRUCTION	NSF 61	125# FLANGE Cast Iron ASTM A48/A48M-03 Class 30A	Cast Iron ASTM A48/A48M-03 Class 30A	Stainless Steel ASTM A351/A 351M-08	N/A	Carbon Steel	Bronze ASTM B584-98A C92200	Ceramic/EPT	Copper & Brass C3600
		250# FLANGE Ductile Iron ASTM A536-84 Grade: 65-45-12	Cast Iron ASTM A48/A48M-03 Class 30A	Stainless Steel ASTM A351/A 351M-08	N/A	Carbon Steel	Bronze ASTM B584-98A C92200	Ceramic/EPT	Copper & Brass C3600
OPTIONAL	125# OR 250#	N/A	N/A	N/A	Bronze ASTM B584-98A C92200	N/A	N/A	N/A	N/A

N/A - Not Available



COMMENTS MARCA DE MOTOR DEPENDE DE DISPONIBILIDAD.